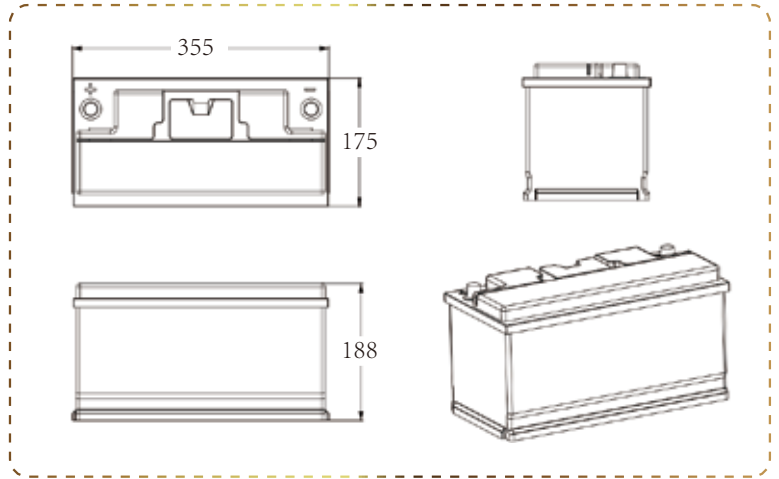


## PF-Underseat-12.8V 150Ah Heating



### LITHIUM BATTERY

#### Strong Advantages

- 6 Years Warranty
- Directly eliminate lead-acid battery
- Lighter weight and easier to handle
- Lithium iron phosphate is more stable
- Maximum service life of over 6000 cycles
- Long-lasting modular construction
- Screw opening, perfect crafted internal structure design
- Electric heating film patented technology

### ELECTRIC HEATING FILM

#### Patented Technology

- All the Perfektium lithium batteries with heating module, up to -35 degrees
- The heating film is an IP material and the heating is even
- BMS has a heating control function, to ensure that the battery itself is not consumed

### BMS

#### Battery Management System

The BMS monitors and controls the individual cells of a battery and protects them from damage, such as overload and overvoltage

### BLUETOOTH 4.0 INTEGRATED

#### Multiple Battery Monitoring Function

Perfektium Pro APP can monitor up to 8 batteries at the same time now. The SOC, voltage, current, temperature, available time of the battery set can be detective.



## Specification

| Items                                 | Characteristics                        |
|---------------------------------------|--|
| Model                                 | 12.8V 150Ah/ 1920Wh                    |
| Dimension (L x W x H)                 | 355×175×188mm                          |
| Weight (No Accessories)               | 16.35Kg                                |
| Cycle Life                            | >6000@80%D.o.D                         |
| Internal Resistance                   | ≤15 mΩ @ 50% SOC                       |
| Recommended Charge Voltage            | 14.6V                                  |
| Float Charge Voltage(For standby use) | 13.8±0.8V                              |
| Recommended Charge Current            | 45A                                    |
| Max Charge Current                    | 75A                                    |
| Continuous Discharge Current          | 200A                                   |
| Peak Discharge Cut-Off Current        | 600A (200~500ms)                       |
| Operating Voltage Range               | 10 -14.6V                              |
| End of Discharge Voltage Range        | 9.2 - 11.2V                            |
| Terminal Type                         | M8                                     |
| Ingress Protection Code               | IP65                                   |
| Charge Temperature                    | 0~50°C                                 |
| Discharge Temperature                 | -20~75°C                               |
| Storage Temperature                   | -5~35°C                                |
| Heater Operating Temperature          | -35~5°C                                |
| Storage Condition                     | Charging the battery every 3 months    |
| Series & Parallel Availability        | Only 4 parallel at most                |
| Certifications                        | CE/UL/UN38.3/MSDS/ROHS/UN 3480/CLASS 9 |